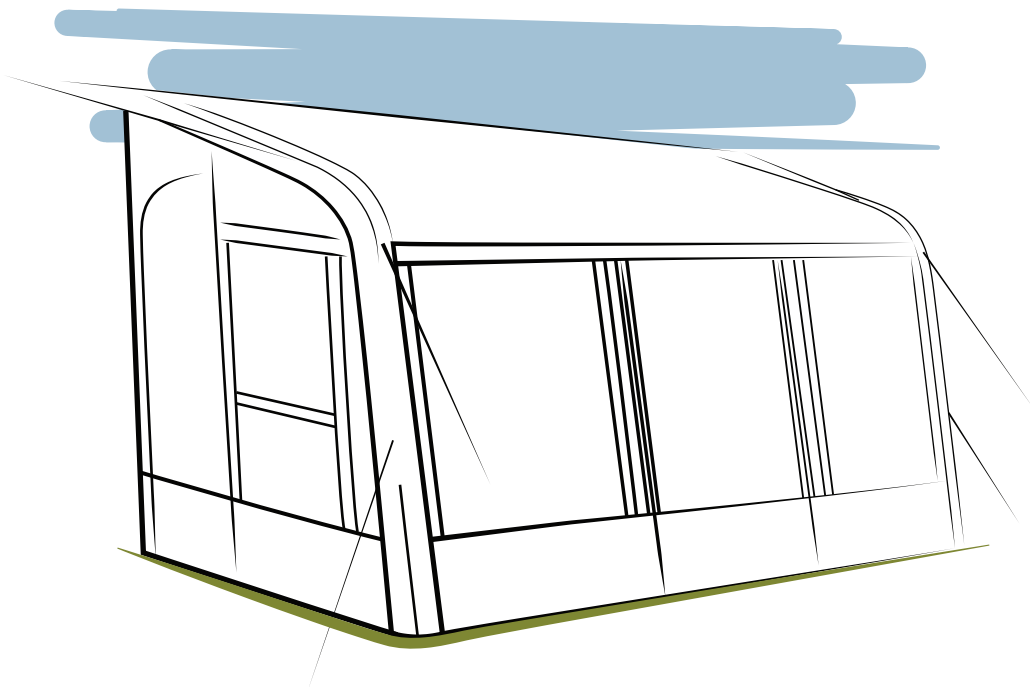




VENTURA



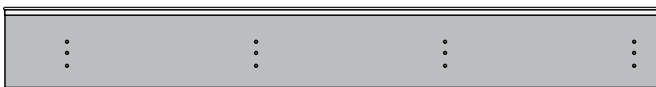
Pascal390

R4597 V4 2016

i



1 x



3 x



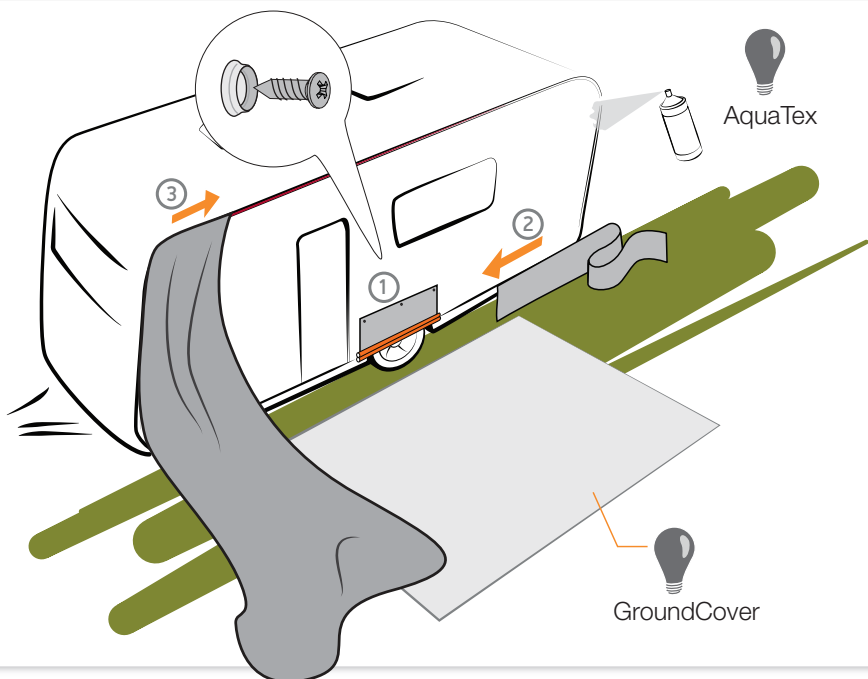
1 x

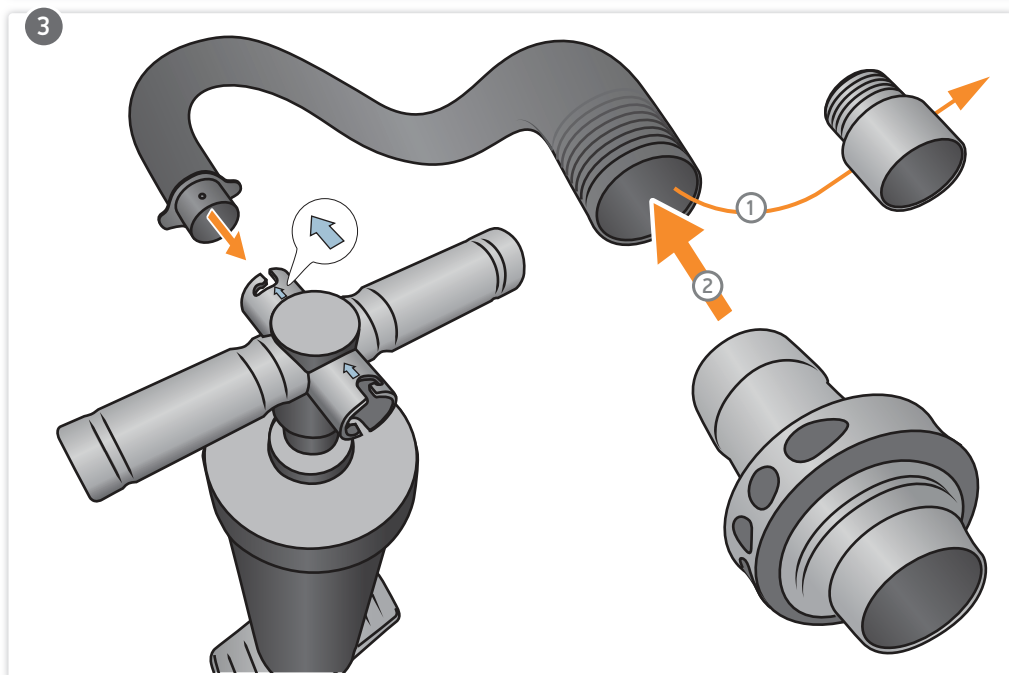
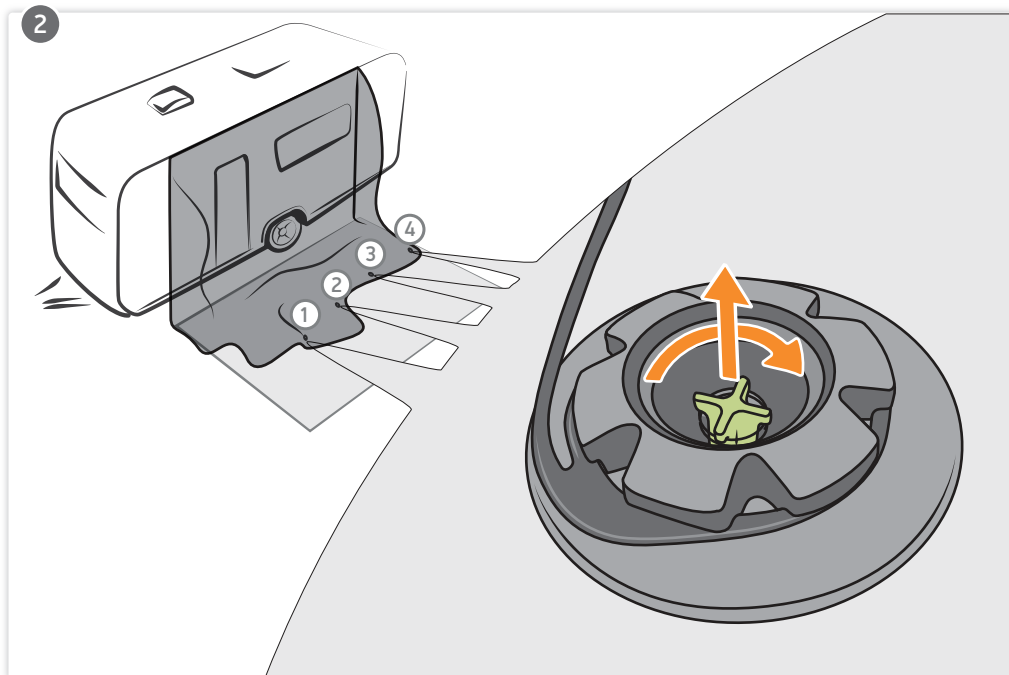
3 x



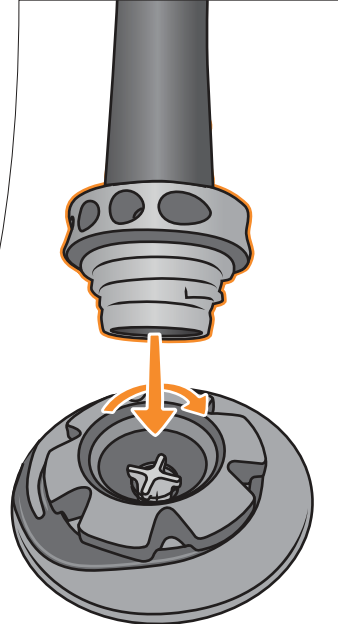
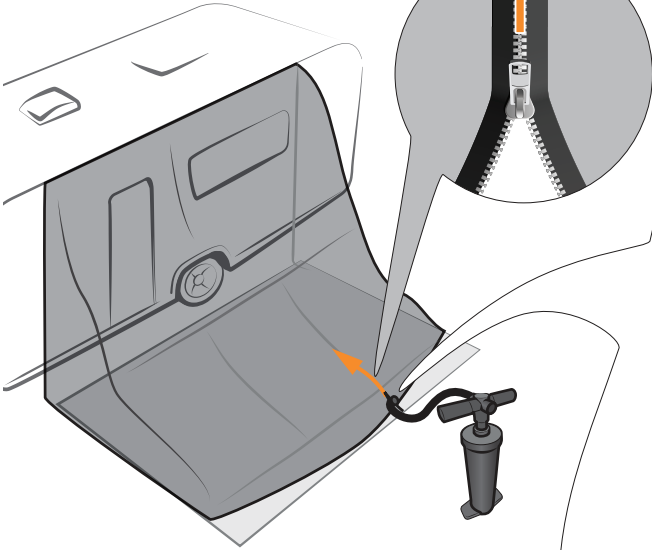
Marked with = not included

1

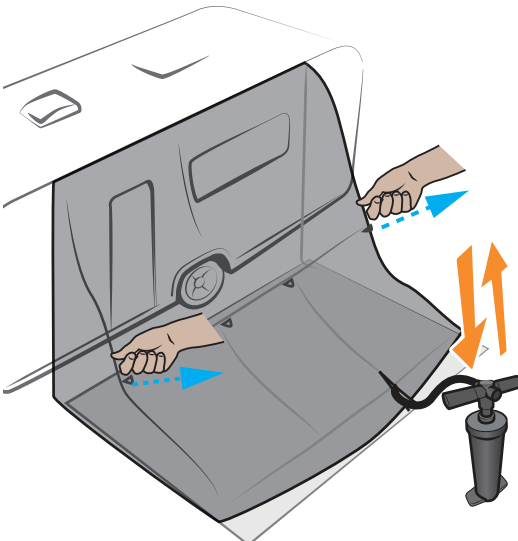




4



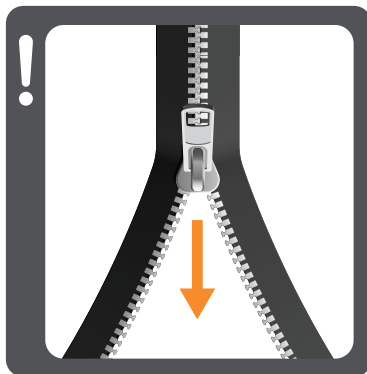
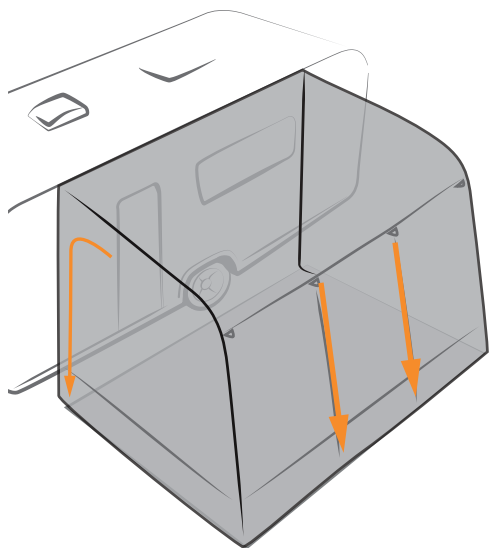
5



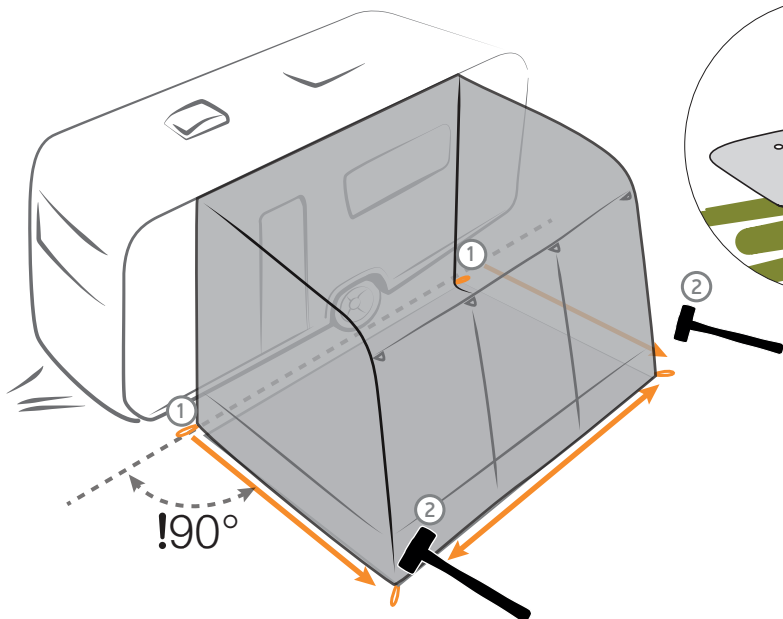
- ① ↓ + ↑ x 60-80 =
- ② ↓ + ↑ x 140-150 = 0,3bar

VENTURA

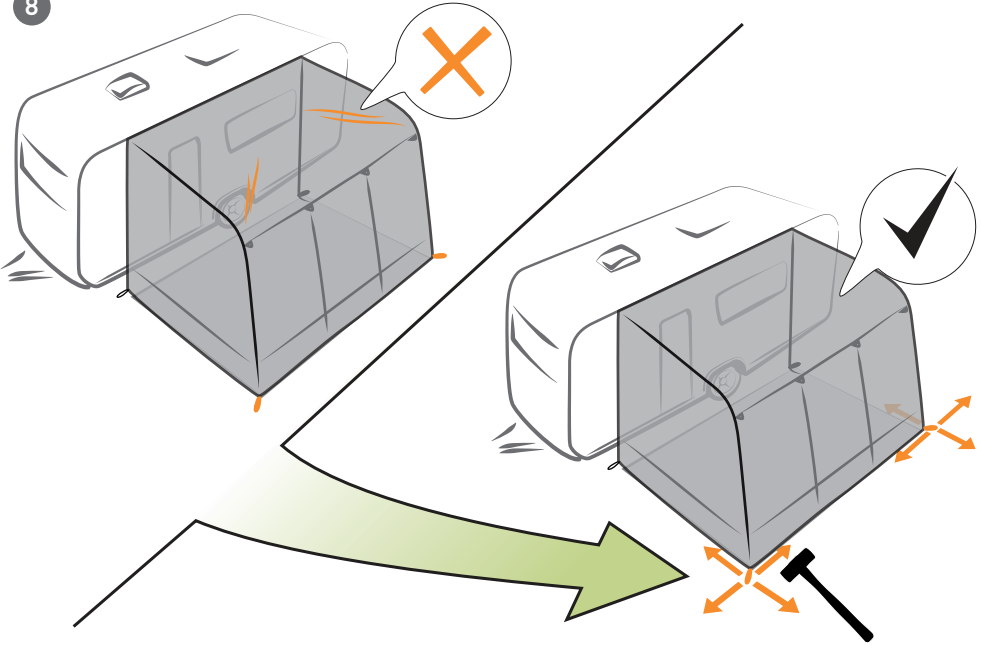
6



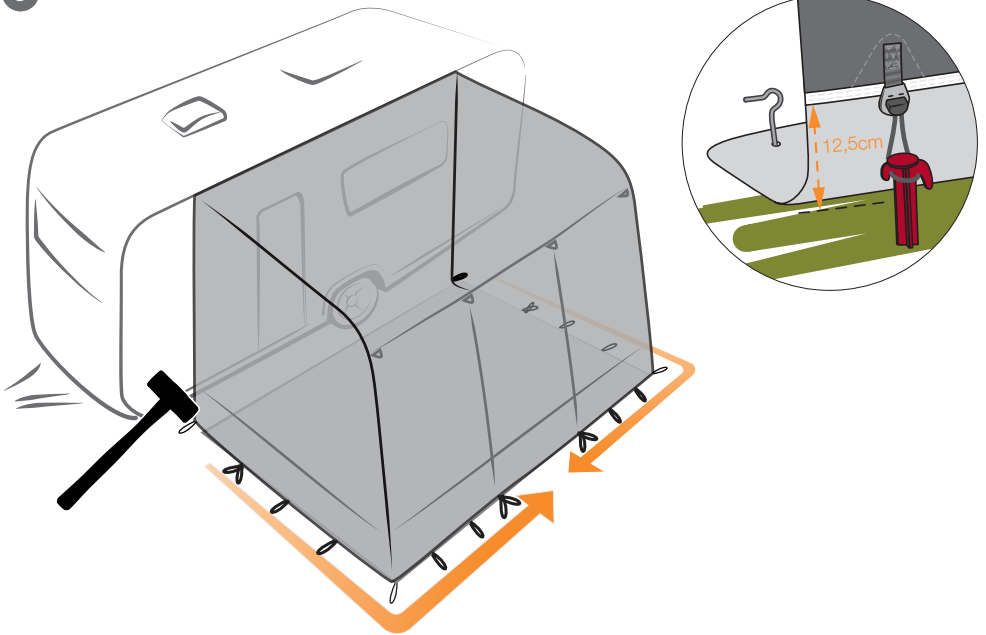
7



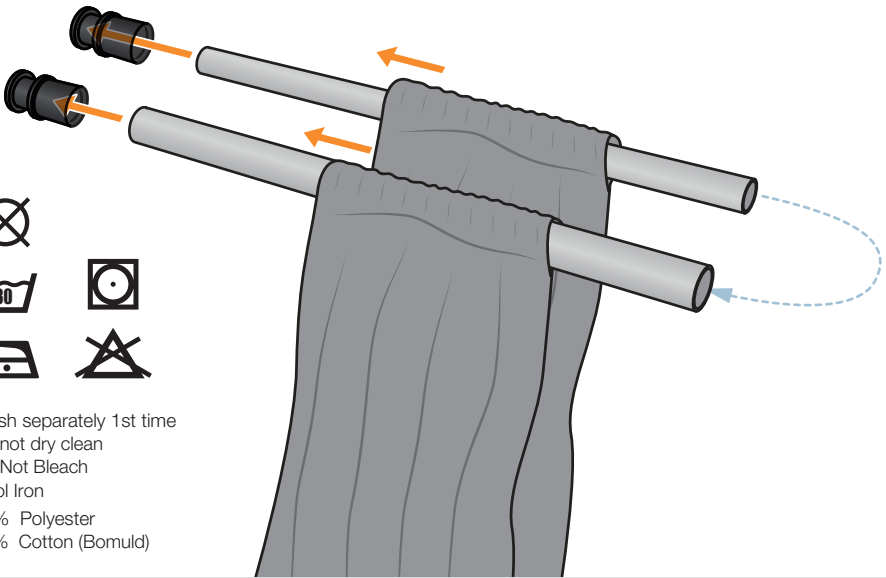
8



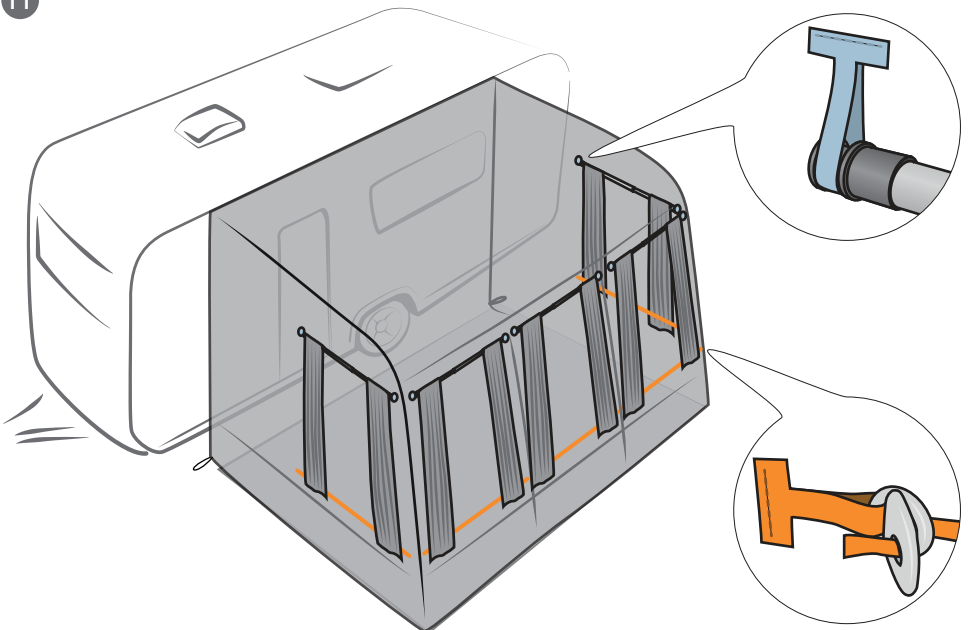
9

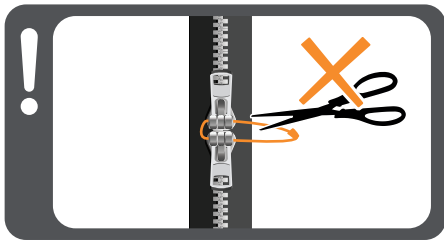
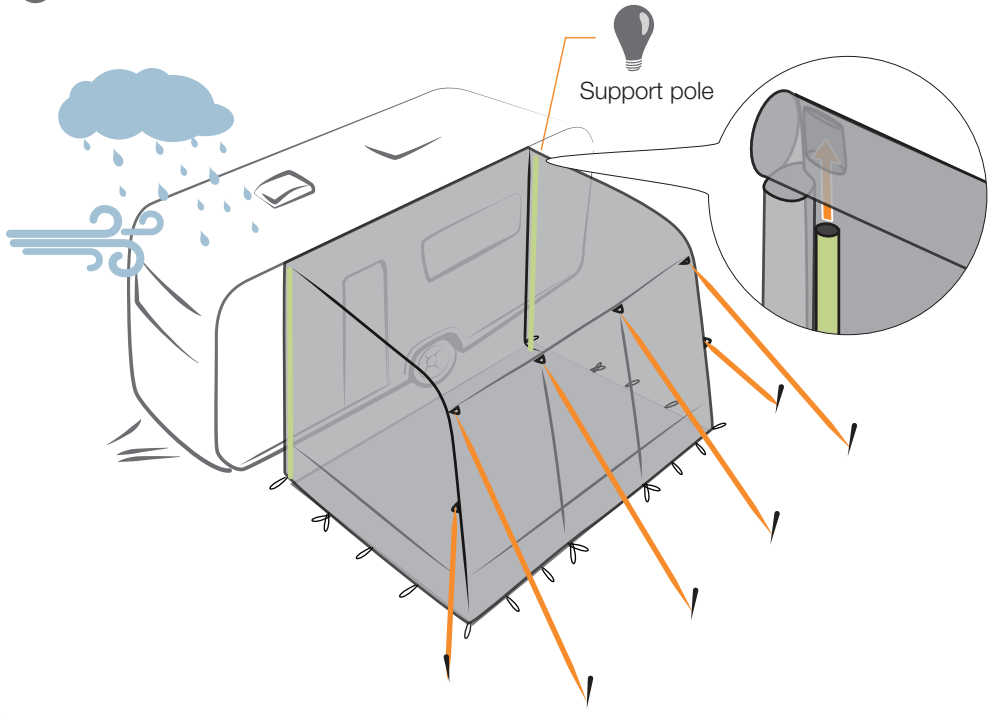


10



11





Warranty no longer apply if lock is broken.
Garantien bortfalder, hvis låsen brydes.

